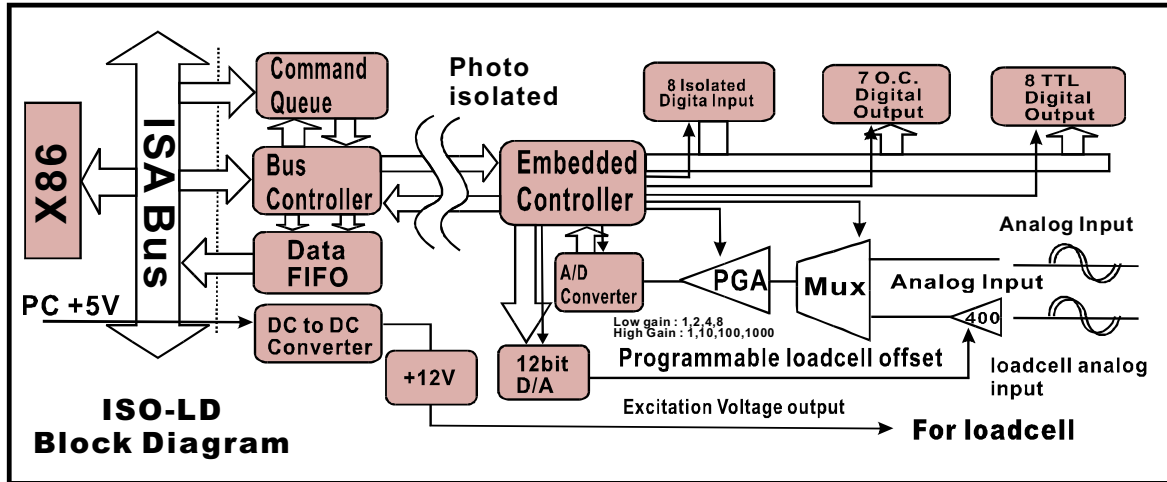


# ISO-LDH/LDL

## Isolated strain gauge type Load Cell input board



### Digital I/O

- 8 photo-isolated 12~24V digital input
- 7 isolated open-collector digital output (NPN type)
- Sink current: 100 mA
- 8 TTL/LED output

### General Specifications

- I/O connector:
  - one 9-pin D-Sub female
  - one 25-pin D-Sub female
  - one 10-pin ribbon male
- Power requirements: +5V @ 400 mA
- Operating temperature: 0 ~ 60°C
- Operating humidity: 0 ~ 90% non-condensing
- Storage temperature: -20 ~ 70°C
- Dimensions: 182 mm x 122 mm

### Ordering Information

#### Standard

- ISO-LDH:** 12-bit high-gain Load Cell input board
- ISO-LDH/S:** ISO-LDH with DN-25
- ISO-LDL:** 12-bit low-gain Load Cell input board
- ISO-LDL/S:** ISO-LDL with DN-25

#### Optional

- DN-25:** DIN-rail mounting terminal board
- S-50:** S-type Load Cell

### Pin Assignment

#### CN1

Exec+	1	6	GND
Vin 1+	2	7	Vin 1-
3 N.C.	3	8	Vin 0
4 N.C.	4	9	N.C.
5 N.C.	5		

#### CN2

DI 0+	1	14	DI 0-
DI 1+	2	15	DI 1-
DI 2+	3	16	DI 2-
DI.COM	4	17	DI 3-
DI 4-	5	18	DI 5-
DI 6-	6	19	DI 7-
DO.COM	7	20	DO.GND
DO 0	8	21	DO 1
DO 2	9	22	DO 3
DO 4	10	23	DO 5
DO 6	11	24	+12VDC
+12VDC	12	25	GND
GND	13		

#### CN3

LED 1	1	2	LED 2
LED 3	3	4	LED 4
LED 5	5	6	LED 6
LED 7	7	8	LED 8
N.C.	9	10	+5V