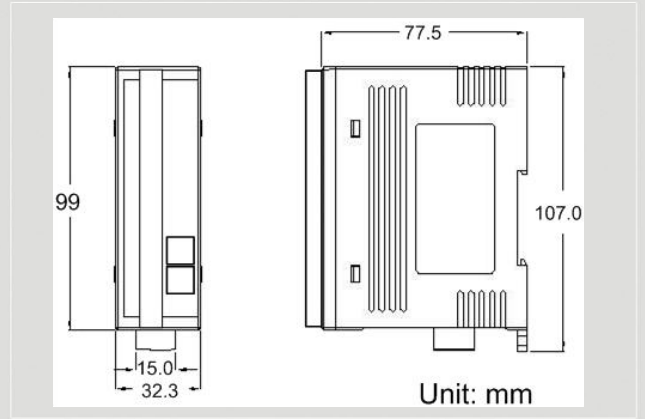




16-ch DO module of CCON Slave



CAN-2057



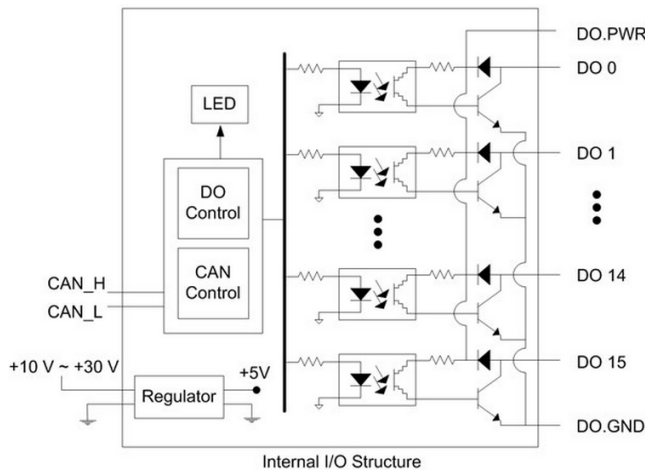
Dimensions

CAN-2057 module follows the CCON protocol that is developed by the ICP DAS Co., LTD, CAN-2057 has 16 isolated sink output channels. It can be used to various applications. By owing to the CCON masters of ICP DAS, you can quickly build a CCON network to approach your requirements.

Features

- Providing Pair-Connect function
- ESD Protection 4 KV Contact for each channel
- Support Power Supply +10 ~ +30 V_{DC}

Internal I/O Structure

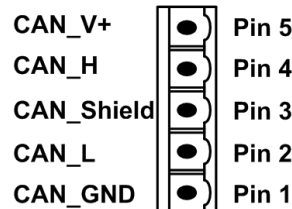


I/O Pin & Wire Connection

Terminal No.	Pin Assignment
01	DI.COM
02	DI0
03	DI1
04	DI2
05	DI3
06	DI4
07	DI5
08	DI6
09	DI7
10	DO0
11	DO1
12	DO2
13	DO3
14	DO4
15	DO5
16	DO6
17	DO7
18	DO.GND
19	DO.GND
20	DO.PWR

Module Name	CAN-2057	
Output Type	ON State LED ON Readback as 1	OFF State LED OFF Readback as 0
Drive Relay	Relay Off	Relay On
Resistance Load		

CAN Pin & Baud Rate Rotary



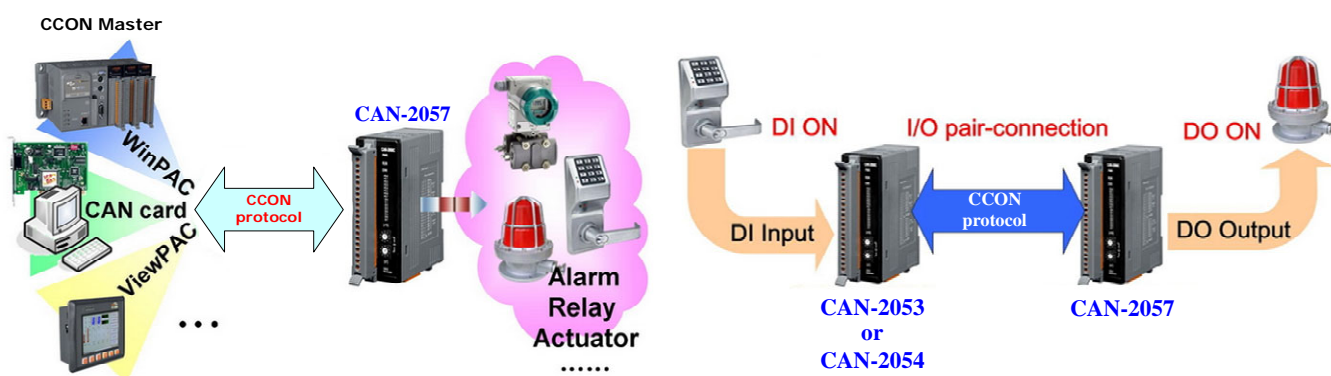
Baud rate rotary switch

Switch Value	Pair-connection	Baud Rate
0	8	10 kbps
1	9	20 kbps
2	A	50 kbps
3	B	125 kbps
4	C	250 kbps
5	D	500 kbps
6	E	800 kbps
7	F	1000 kbps

Hardware Specifications

CAN Interface	
Connector	5-pin screwed terminal block (CAN_GND, CAN_L, CAN_SHLD, CAN_H, CAN_V+)
Baud Rate (bps)	10 k, 20 k, 50 k, 125 k, 250 k, 500 k, 800 k, 1 M
Terminator Resistor	Switch for 120 Ω terminator resistor
Node ID	1~99 selected by rotary switch
Protocol	CCON ver2.00
Digital Output	
Channels	16 (Sink)
Load Voltage	+5 ~ +30 V _{DC}
Output Type	Open-Collector
Reaction Time	200 us
LED	
Round LED	PWR LED, RUN LED, ERR LED
I/O LED	16 LEDs for DO individually, and 1 LED as terminal resistor indicator
Power	
Input range	Unregulated +10 ~ +30 V _{DC}
Power Consumption	1.5 W
Mechanism	
Installation	DIN-Rail
Dimensions	32.3 mm x 99 mm x 77.5 mm (W x L x H)
Environment	
Operating Temp.	-25 ~ +75 °C
Storage Temp.	-30 ~ +80 °C
Humidity	10 ~ 90% RH, non-condensing

Applications



Ordering Information

CAN-2057	CCON module of 16-channel Digital Output
-----------------	--